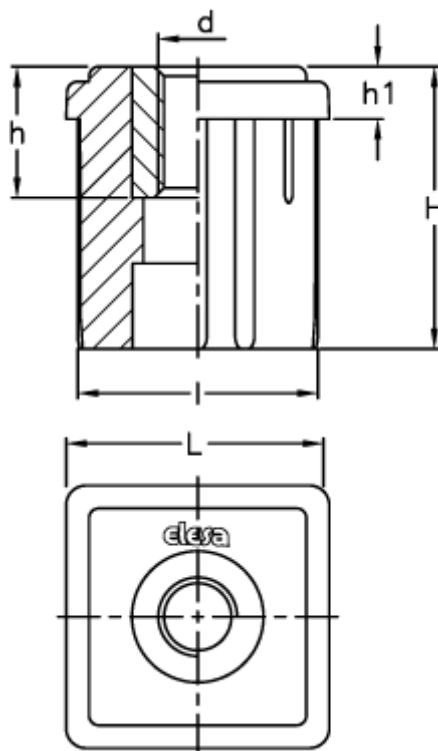


Article number: 2310319103
Description: E+G Square end cap
ND.Q-30x1.5-M10

Measures



d	= M10	Tube wall thickness = 1.5
h	= 20	
H	= 33	
h1	= 6	
Internal tube size	= 27	
l	= 27.5	
L	= 30	
Outer tube size	= 30	